

T-Lok[®] Fasteners

Cost-effective and efficient method of attaching metal to wood or other soft material without through holes.



Key Features and Benefits of T-Lok Fasteners

- 'Peel-type' tail formation makes it ideal for joining metal to wood, board or low density plastic
- Large bearing surface expands into blind hole providing superior pull-out force
- Ideal replacement for wood screws or self-tapping screws
- Multi-grip capability accommodates wide variations in material thickness

Specifications

Sizes:

4.3 mm and 4.8 mm

(3/16") Material:

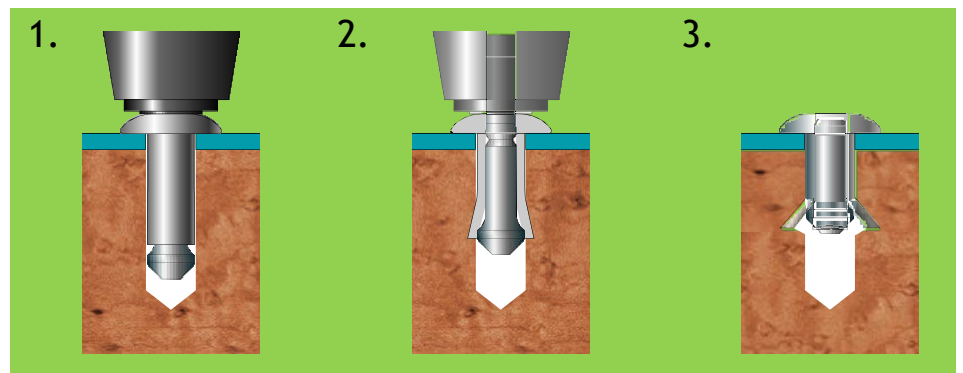
Steel

Head

Style:

Dome

Typical Placing Sequence



Assembly Applications for T-Lok Fasteners

- Garage doors
- Furniture
- Caravans

